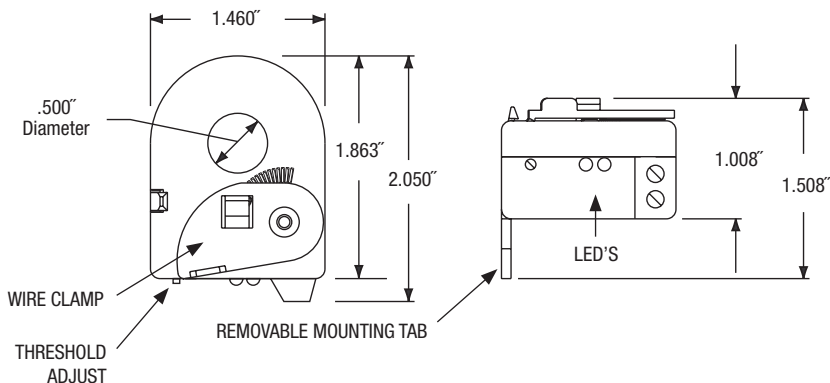


RIBXK SERIES

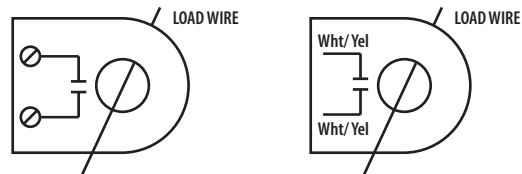
CURRENT SENSOR Enclosed Solid Core Current Sensors



SPECIFICATIONS

Operating Temperature: -30 to 140° F
Max Sense Voltage: 600 Vac
Approvals: UL Listed, UL916, UL864, C-UL, CE, RoHS
Housing Rating: Plenum, NEMA 1
Mounting/Installation: Removable mounting tab provided. The wire clamp locks against the load wire, securing the unit in place.

SENSOR OUTPUT
Solid State Contact
30 Vac/dc,
.4 Amp Max. RIBXKF, RIBXKTF
.8 Amp Max. RIBXKA, RIBXKTA
When current sensor status is off (open),
leakage <30 uA @ 30Vac/dc
When current sensor status is on (closed),
voltage drop < .3 Vac/dc @ .1 Amp
< 1.6 Vac/dc @ .4 Amp



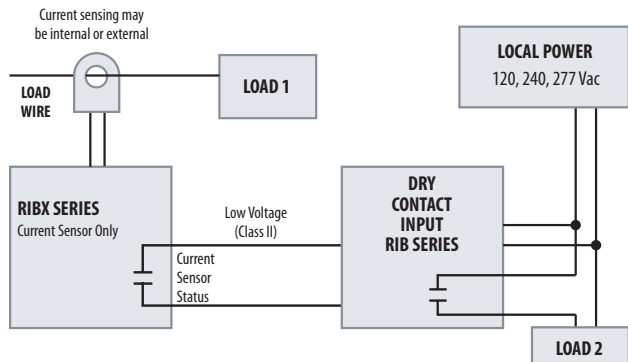
RIBXK Series Selection Guide

MODEL #	RANGE	TYPE	THRESHOLD	OUTPUT	LED 1	LED 2
RIBXKF	.25-150 Amp	Solid Core	Fixed, .25 Amp	Solid State Switch SPST ; 30 Vac/dc ; .4 Amps Max (Wh/Yel 16" 18 AWG Wire Leads)		
RIBXKTF	.25-150 Amp	Solid Core	Fixed, .25 Amp	Solid State Switch SPST ; 30 Vac/dc ; .4 Amps Max (Terminal Strip, Accepts #14-22 AWG Wire)		
RIBXKA	.50-150 Amp	Solid Core	Adjustable	Solid State Switch SPST ; 30 Vac/dc ; .8 Amps Max (Wh/Yel 16" 18 AWG Wire Leads)	Over Trip Point	Under Trip Point
RIBXKTA	.50-150 Amp	Solid Core	Adjustable	Solid State Switch SPST ; 30 Vac/dc ; .8 Amps Max (Terminal Strip, Accepts #14-22 AWG Wire)	Over Trip Point	Under Trip Point

Notes

Interlocking Loads (No Transformer)

Self-powered Current Sensors of the RIBX Series and relays of the Dry Contact Input RIB Series may be applied to interlock Load 2 to Load 1.



Dry Contact Input Relays

RIB21CDC
RIB01BDC
RIB01SBDC
RIB02BDC
RIB02SBDC
RIBM01ZND
RIBM02ZND
RIBM013PND
RIBD01BDC (Time Delay)
RIBD02BDC (Time Delay)
RIBD01BDC-DOB (Time Delay)
RIBD02BDC-DOB (Time Delay)

Current Sensors

RIBXKF RIBXRF
RIBXKTF RIBXRA
RIBXKA RIBXJF
RIBXKTA RIBXJA
RIBXGA RIBMXF
RIBXGF RIBMXA
RIBXGTA RIBMXRF
RIBXGTF RIBMXRA
RIBXGFL RIBMXJF
RIBXGTF RIBMXJA
RIBXF
RIBXA