

INSTALLATION DATA

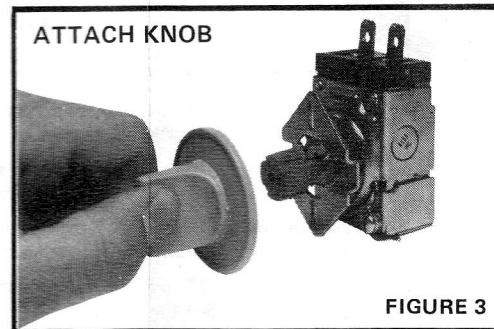
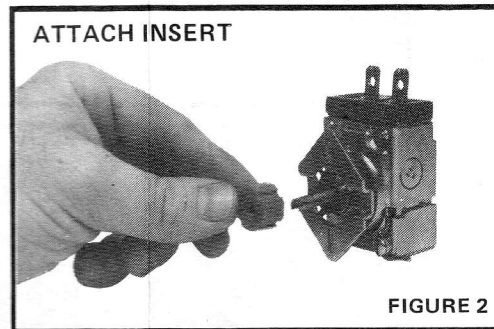
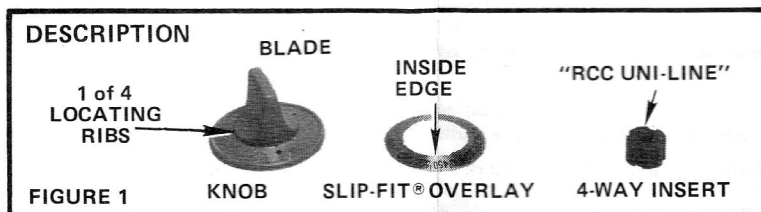
4590

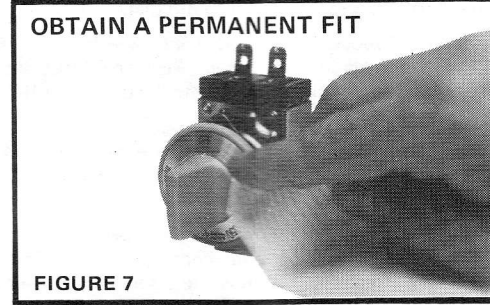
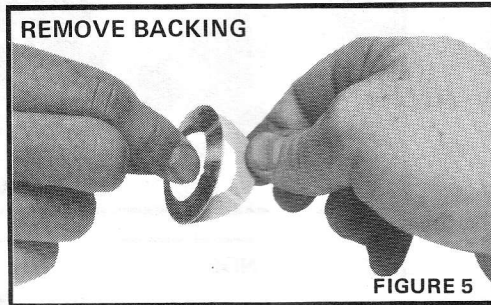
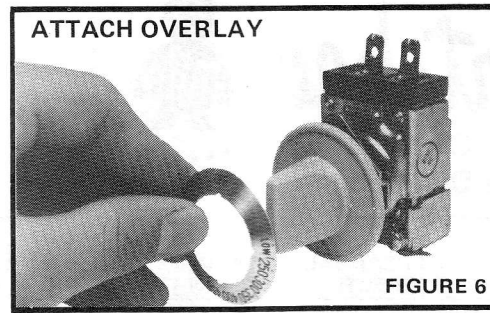
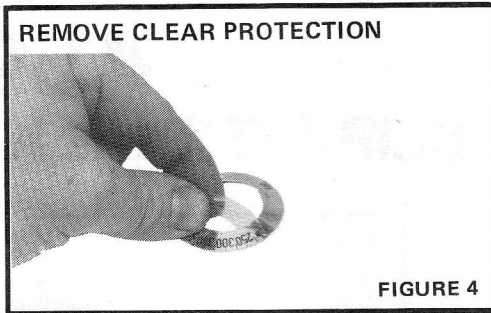
SLIP-FIT® DIAL KITS

NOTE

IT IS ESSENTIAL TO READ EACH STEP COMPLETELY BEFORE PERFORMING THE DIRECTIONS GIVEN IN THAT STEP.

1. Turn control to the "Off" position and remove old dial.
2. Locate the 4-way insert included with this dial kit. See Fig. 1. One side has "RCC UNI-LINE" molded in the plastic. Push the 4-way insert flush onto the tip of the dial shaft of the control with "RCC UNI-LINE" facing away from the control. See Fig. 2.
3. Referring to the other control knobs on the appliance, determine which way the "blade," Fig. 1, on the new knob is to be oriented in the "Off" position; vertical or horizontal.
4. Using the vertical or horizontal orientation desired, partially assemble the knob onto the insert to obtain proper alignment. See Fig. 3. Then remove the knob with the insert attached, and press the insert all the way into the knob. When completely in place, approximately 1/8" of the 4-way insert will be outside of the knob. Reinstall knob.





5. Take the SLIP-FIT overlay, Fig. 1, and carefully remove the clear protective covering over the numbered side. Begin removal from the inside edge of the overlay. See Fig. 4.
6. Carefully peel off the backing from the adhesive that is on the back of the SLIP-FIT overlay. Try not to touch the adhesive. See Fig. 5.
7. Position the SLIP-FIT dial overlay over the knob with the "Off" position aligned in the desired position. Carefully slide the SLIP-FIT overlay down and over the locating ribs on the knob, see Fig. 6.
8. Press the SLIP-FIT overlay down firmly into position. Use a soft cloth and rub around the overlay to obtain a permanent fit. See Fig. 7.